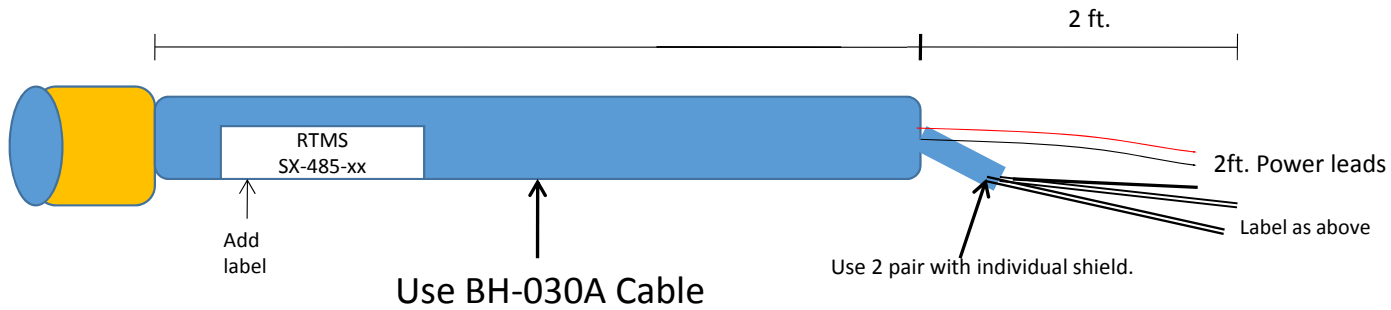
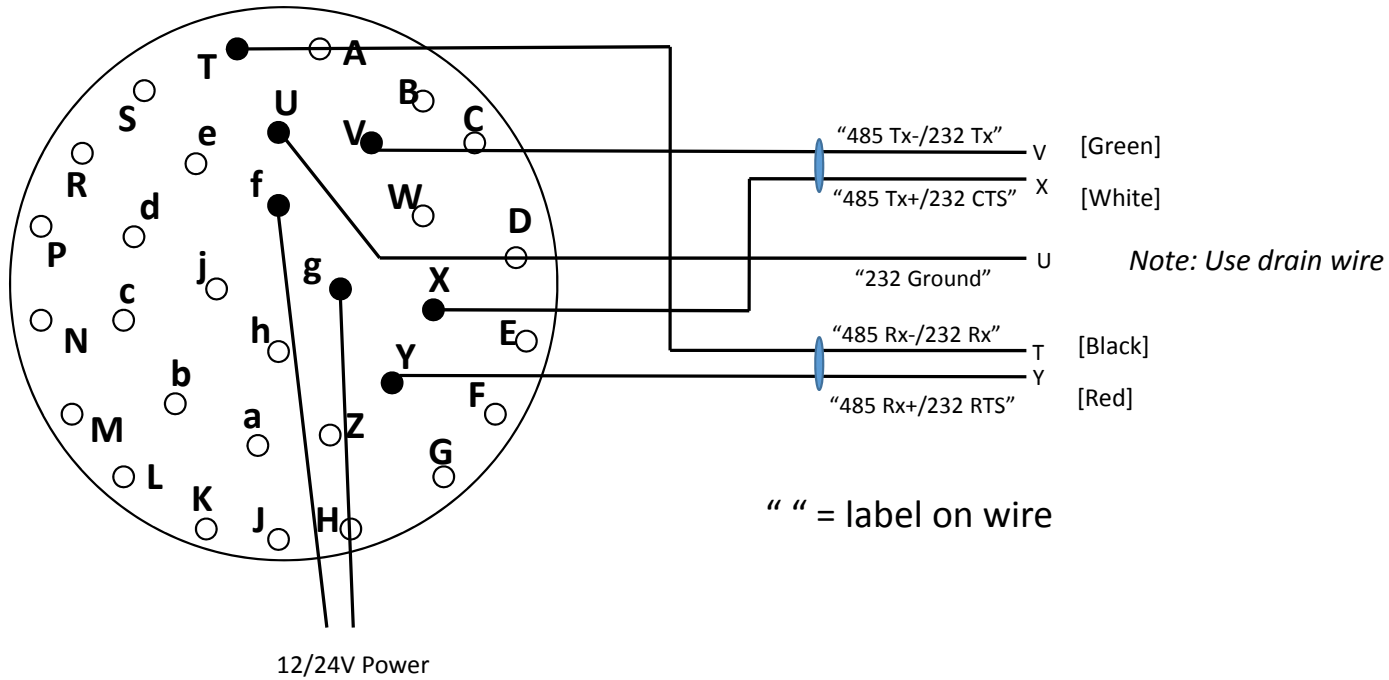


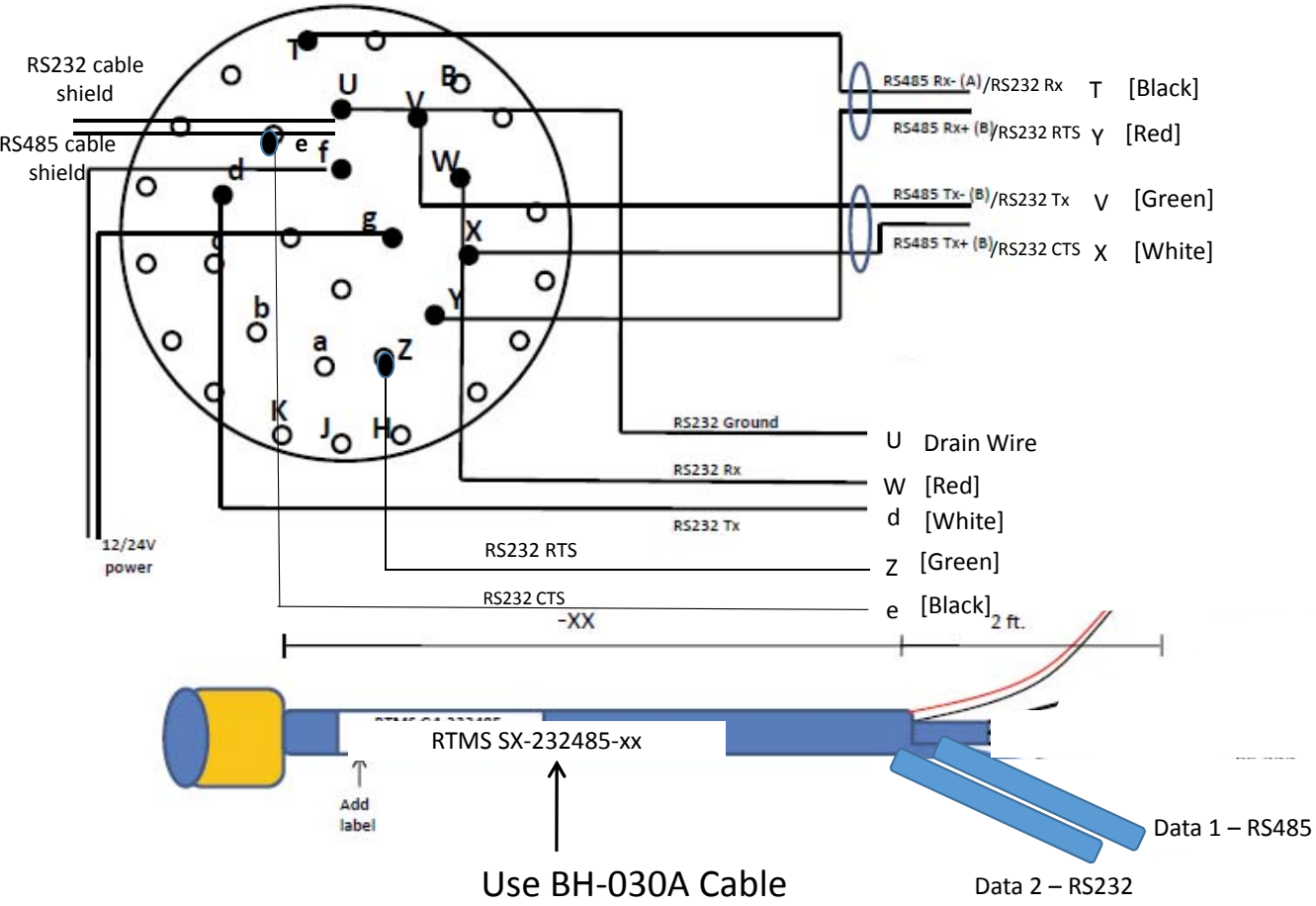
RTMS-SX-485-xx



Include a D-sub 9 kit

Cut off 2nd data cable

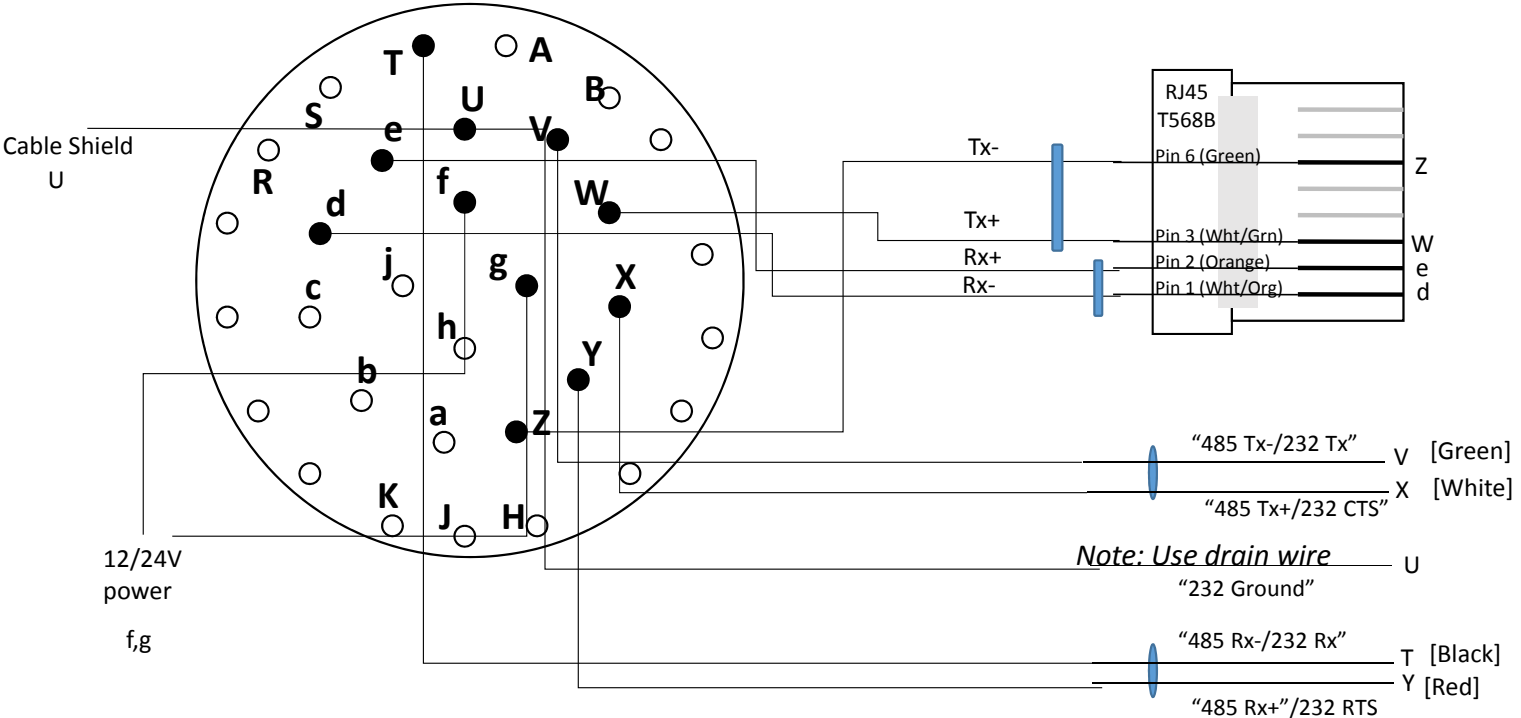
RTMS SX-232485-xx



Include a D-sub 9 kit

Use Data 1 2pr individual shield for RS-485
 Use Data 2 2pr individual shield for RS-232

RTMS-SX-IP485-xx



Note: Use drain wire

