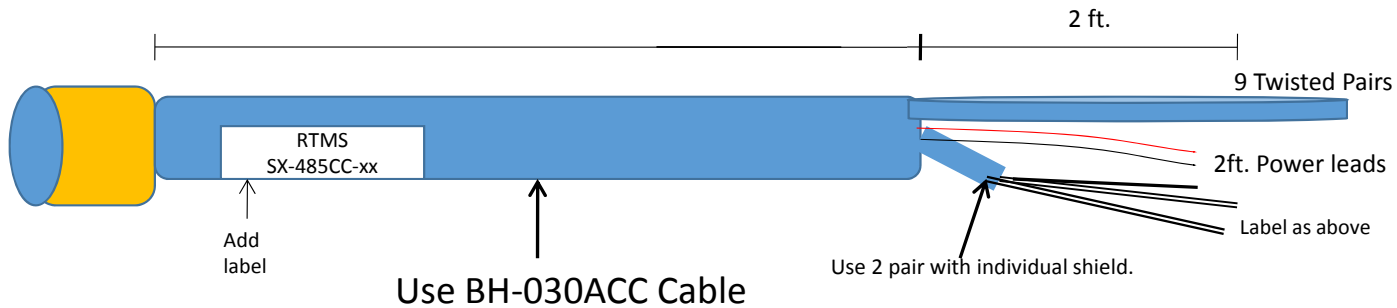


RTMS-SX-485CC-xx

9 Twisted Pairs, Red/Black numbered:

- A = Red 1
- B = Black 1
- C = Red 2
- D = Black 2
- E = Red 3
- F = Black 3
- G = Red 4
- H = Black 4
- J = Red 5
- K = Black 5
- L = Red 6
- M = Black 6
- N = Red 7
- P = Black 7
- R = Red 8
- S = Black 8

Red 9 and Black 9 to Pin U for Ground



Include a D-sub 9 kit

Cut off 2nd data cable

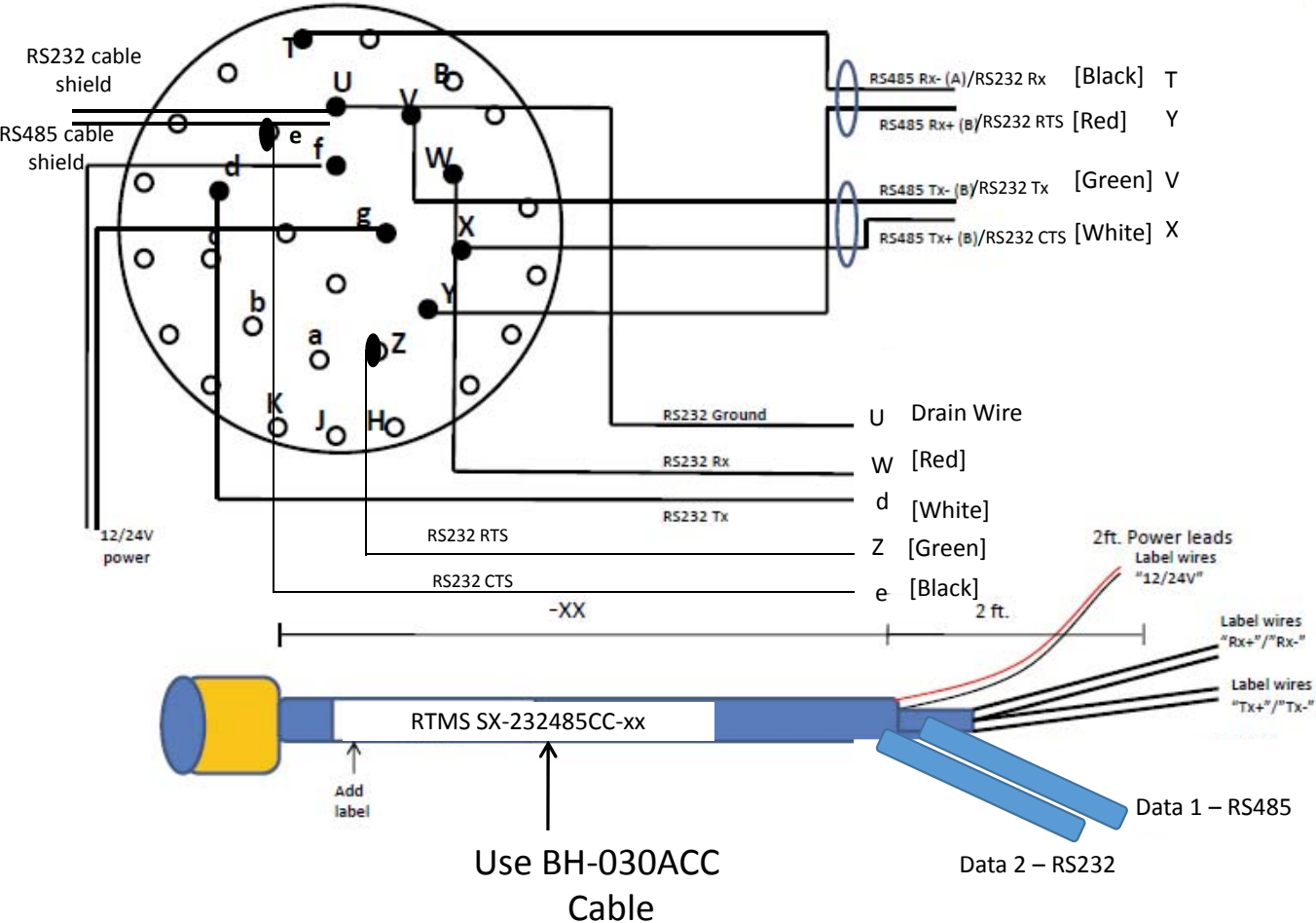
RTMS SX-232485CC-xx

9 Twisted Pairs, Red/Black numbered:

- A = Red 1
- B = Black 1
- C = Red 2
- D = Black 2
- E = Red 3
- F = Black 3
- G = Red 4
- H = Black 4
- J = Red 5
- K = Black 5
- L = Red 6
- M = Black 6
- N = Red 7
- P = Black 7
- R = Red 8
- S = Black 8

Red 9 and Black 9 to Pin U for Ground

Include a D-sub 9 kit



Use Data 1 2pr individual shield for RS-485
 Use Data 2 2pr individual shield for RS-232

RTMS-SX-IP485CC-xx

9 Twisted Pairs, Red/Black numbered:

- A = Red 1
- B = Black 1
- C = Red 2
- D = Black 2
- E = Red 3
- F = Black 3
- G = Red 4
- H = Black 4
- J = Red 5
- K = Black 5
- L = Red 6
- M = Black 6
- N = Red 7
- P = Black 7
- R = Red 8
- S = Black 8

Red 9 and Black 9 to Pin U for Ground

