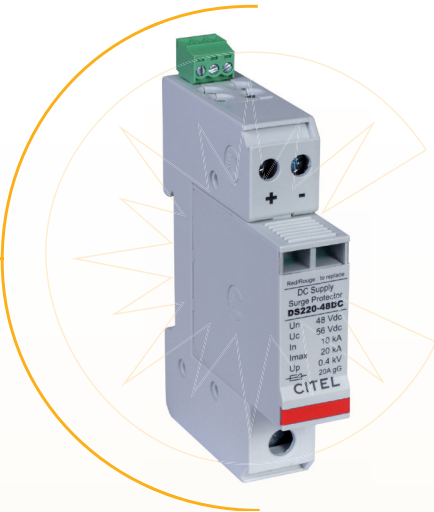


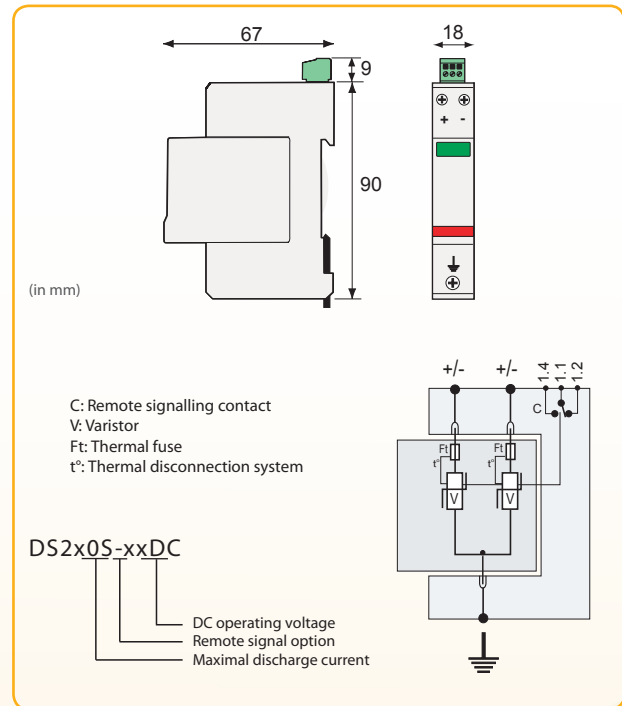
DIN RAIL DC POWER SURGE PROTECTOR

DS2x0-xxDC Series



- From 12 to 130 Vdc
- Very low U_p protection level
- Compact design
- I_{max} : 20 to 40 kA
- Pluggable module
- Remote signaling (option)

Dimensions and Diagram



The DS2x0-xxDC surge protector is designed to protect equipment connected to DC power supply (or AC) against lightning surges.

These devices are based on high energy varistors (MOV) matched with the DC operating voltage (from 12 to 130 Vdc). The MOV are equipped with internal thermal disconnectors in order to provide safe end of life. The indication of the disconnection status is provided by a mechanical indicator and could be transmitted through a remote signal mechanism (option: DS2x0S-xxDC). The pluggable module allows an easy and fast maintenance.

The DS2x0-xxDC is DIN rail compatible and is connected in parallel on the DC line to be protected.

Characteristics

CITEL PART NUMBER		DS220-12DC	DS220-24DC	DS230-48DC	DS240-75DC	DS240-95DC	DS240-110DC	DS240-130DC
Nominal DC voltage	U_n	12 Vdc	24 Vdc	48 Vdc	75 Vdc	95 Vdc	110 Vdc	130 Vdc
Maximum operating voltage	U_c	24 Vdc	38 Vdc	65 Vdc	100 Vdc	125 Vdc	150 Vdc	180 Vdc
Nominal discharge current	I_n	10 kA	10 kA	15 kA	20 kA	20 kA	20 kA	20 kA
Maximal discharge current	I_{max}	20 kA	20 kA	30 kA	40 kA	40 kA	40 kA	40 kA
Protection Level @ U_p	U_p	250 V	250 V	300 V	390 V	450 V	500 V	620 V
Protection Level @ 3kA		195 V	195 V	230 V	280 V	310 V	370 V	510 V
Thermal disconnector		internal	internal	internal	internal	internal	internal	internal
Protective fuses (if necessary)		20A gG	20A gG	20A gG	50A gG	50 gG	50 gG	50 gG
Dimensions		see drawing						
Wiring to network		by screw terminal - cross section 1,5-10mm ² (active wire) and 2,5-25mm ² (earthing wire)						
Disconnection indicator		2 mechanical indicators						
Replacement module		pluggable module DSM2x0-xxDC						
Remote signalling		option (DS2x0S-xxDC) - by changeover contact						
Mounting		on symmetrical rail						
Operative temperature		-40/+85°C						
Protection index		IP 20						
Housing material		thermoplastic UL94-V0						