



Din Rail Signal Line Surge Protectors

DIN-BNC Series

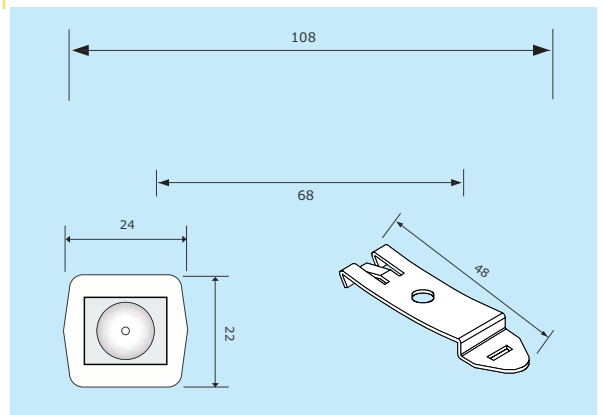


DIN-BNC

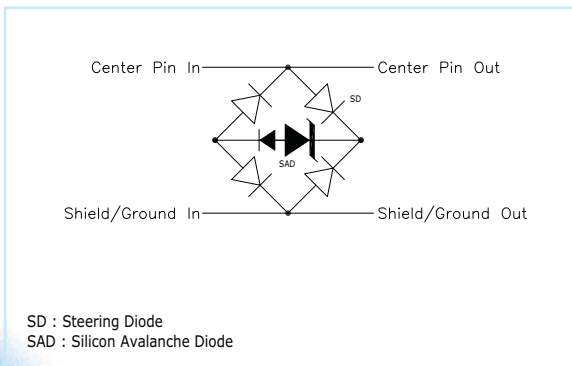
The DIN-BNC is a surge protective device designed for today's sensitive cameras requiring in-line installation. The DIN-BNC protects single camera video signal and offers din rail mounting.

The DIN-BNC's utilize a hybrid protection circuit that offers an ultra fast response time (<1 ns) and automatically resets after each surge event.

Dimensions (in mm)



Electrical Diagram



Characteristics

CITEL Number	DIN-BNC
Application	CCTV, DVR
Configuration	Configuration
Nominal line voltage (Un)	Nominal line voltage (Un)
Max. line voltage (Uc)	2.7V
Max. Shunt Capacity	<25pF
Nominal discharge current (In) 8/20µs impulse - 10 times	132Amps
Connectors	Female BNC
Ground Connection	Din Rail Clip
Housing Material	Thermoplastic
Dimensions	22 x 24 x 68
Weight	2oz