



PTZ Camera Surge Protector

PTZ-4D2P-B-FF



PTZ-4D2P-B-FF

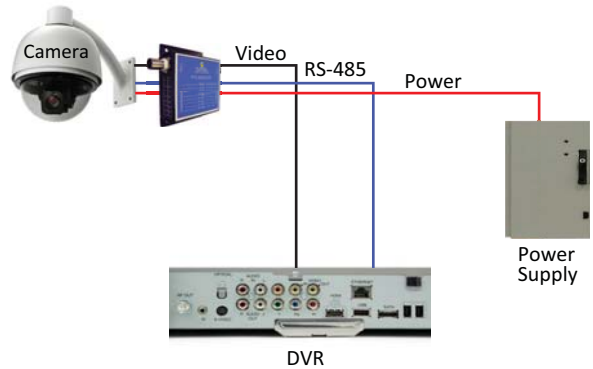
The PTZ Series is designed to protect sensitive Pan Tilt Zoom security cameras connected to a Closed Circuit Television (CCTV) network from transient over voltages.

The PTZ Series surge protector is an in-line device with connection for your video signal via female to female BNC connectors, your 24V power and RS-485 data signal lines via terminal strip connectors. The unit is housed in a rugged, high quality metallic enclosure and has two ground terminal strip connectors on each side for convenient installation.

The transient protection circuit is based on a high energy gas discharge tube (GDT) and a network of fast response silicon avalanche diodes (SAD) to achieve sharp clamping of very large surge events.

- Video Input - 1 line BNC
- Data Input - 4 wire terminal strip
- Power Input - 2 wire terminal strip

PTZ Camera Wiring Diagram



Characteristics

CITEL Number	PTZ-4D2P-B-FF
Application	PTZ Camera
Connection	
Video	1 BNC Female to BNC Female
Data	4 Wire Terminal Strip
Power	2 Wire Terminal Strip
Ground	2 Wire Terminal Strip
Line Voltage - Video	1.1 Vdc
Max. Line Voltage - Video	2.7 Vdc
Line Voltage - Data	6.0 Vdc
Max. Line Voltage - Data	7.5 Vdc
Line Voltage - Power	24 Vac/24 Vdc
Max. Line Voltage - Power	40 Vac/28 Vdc
Nominal discharge current <i>8/20µs impulse - 10 times</i>	10 kA
Max. discharge current <i>8/20µs impulse - 1 time</i>	25 kA
Dimensions	3" x 2.75" x 1.1"
Mounting	Surface Mount
Enclosure	Metal

